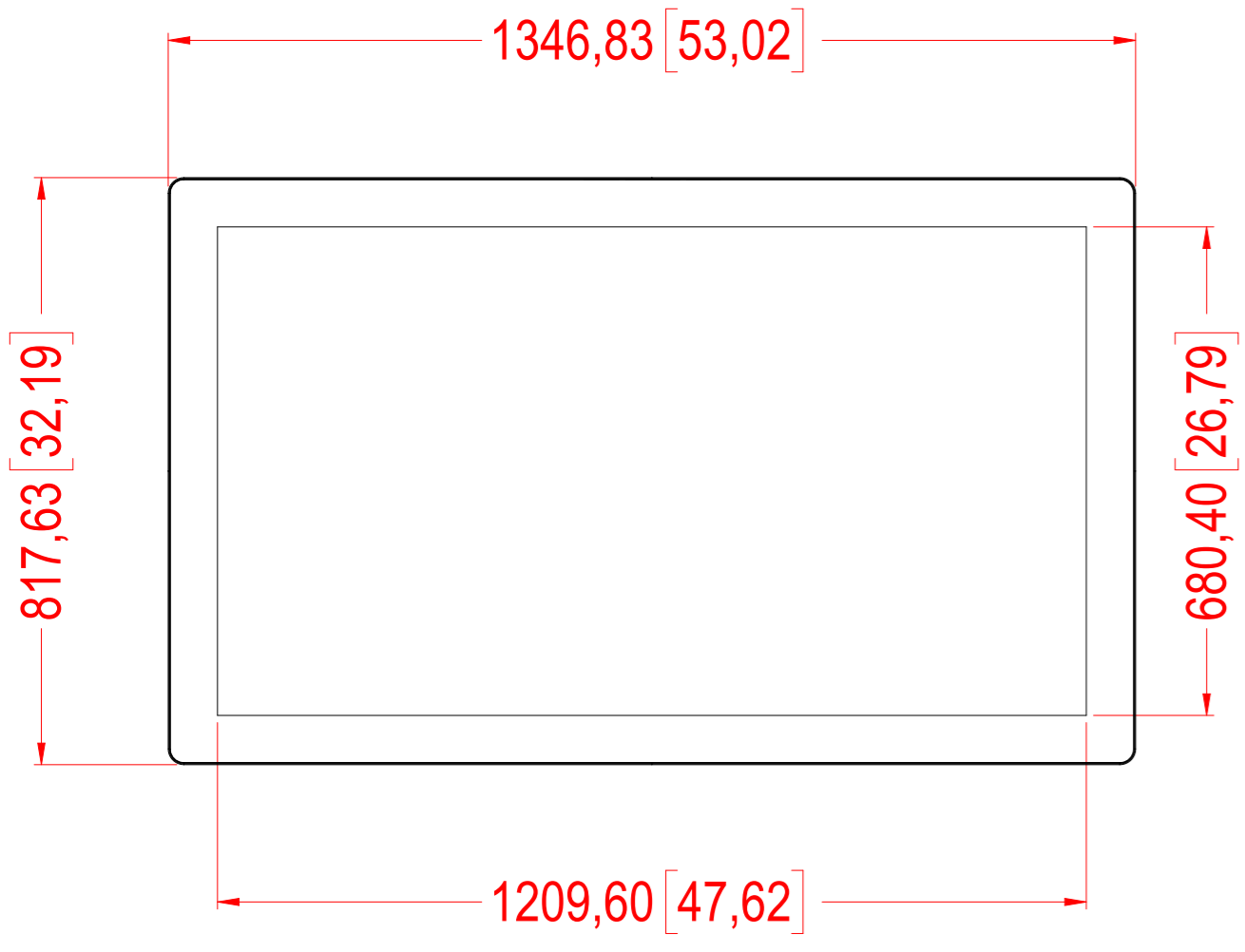
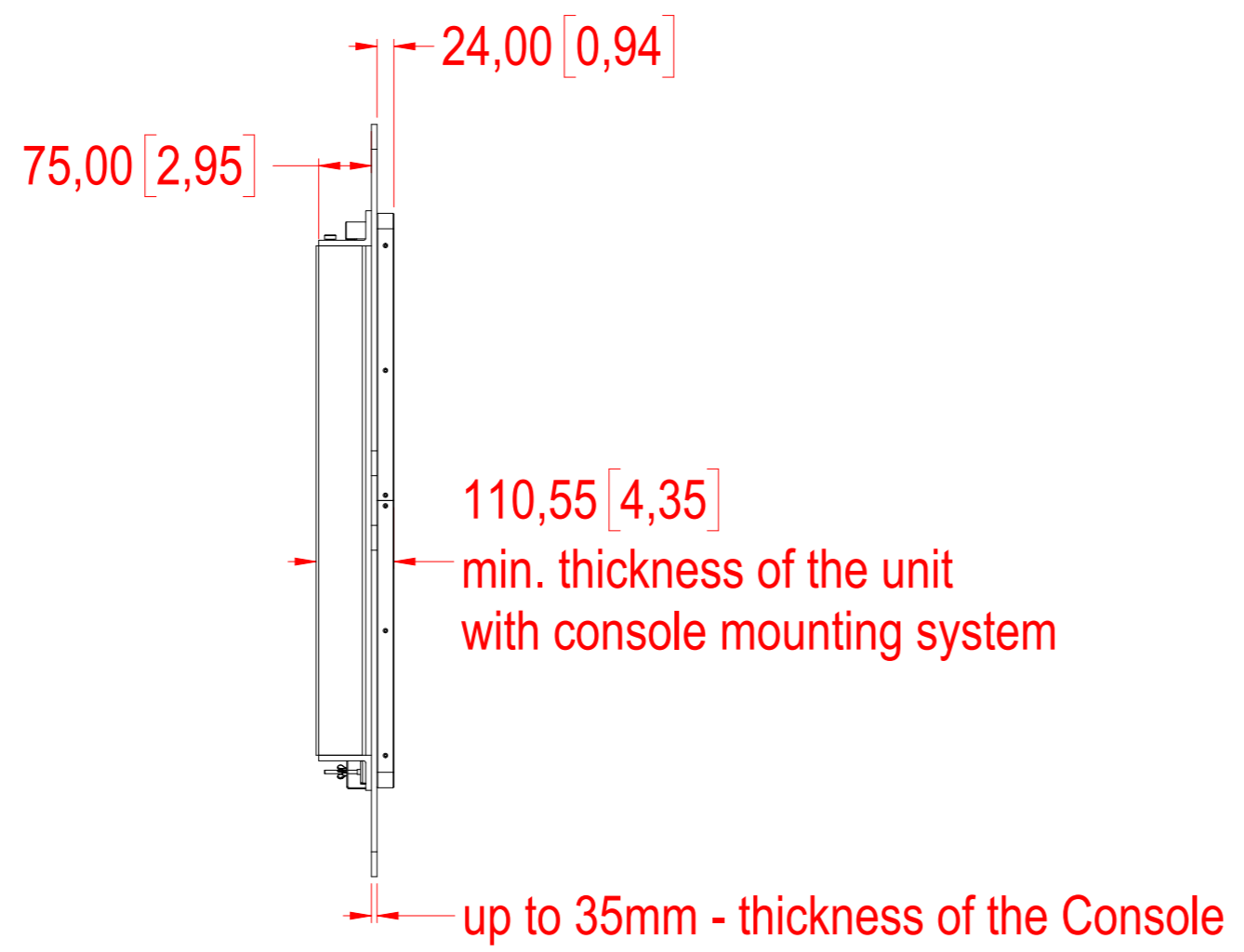


This document is the property of Hatteland Technology AS. The document and any authorized reproduction thereof, must not be used in any way against the interest of Hatteland Technology AS. Any authorized reproduction, in whole or in part, must include this legend.

FRONT VIEW

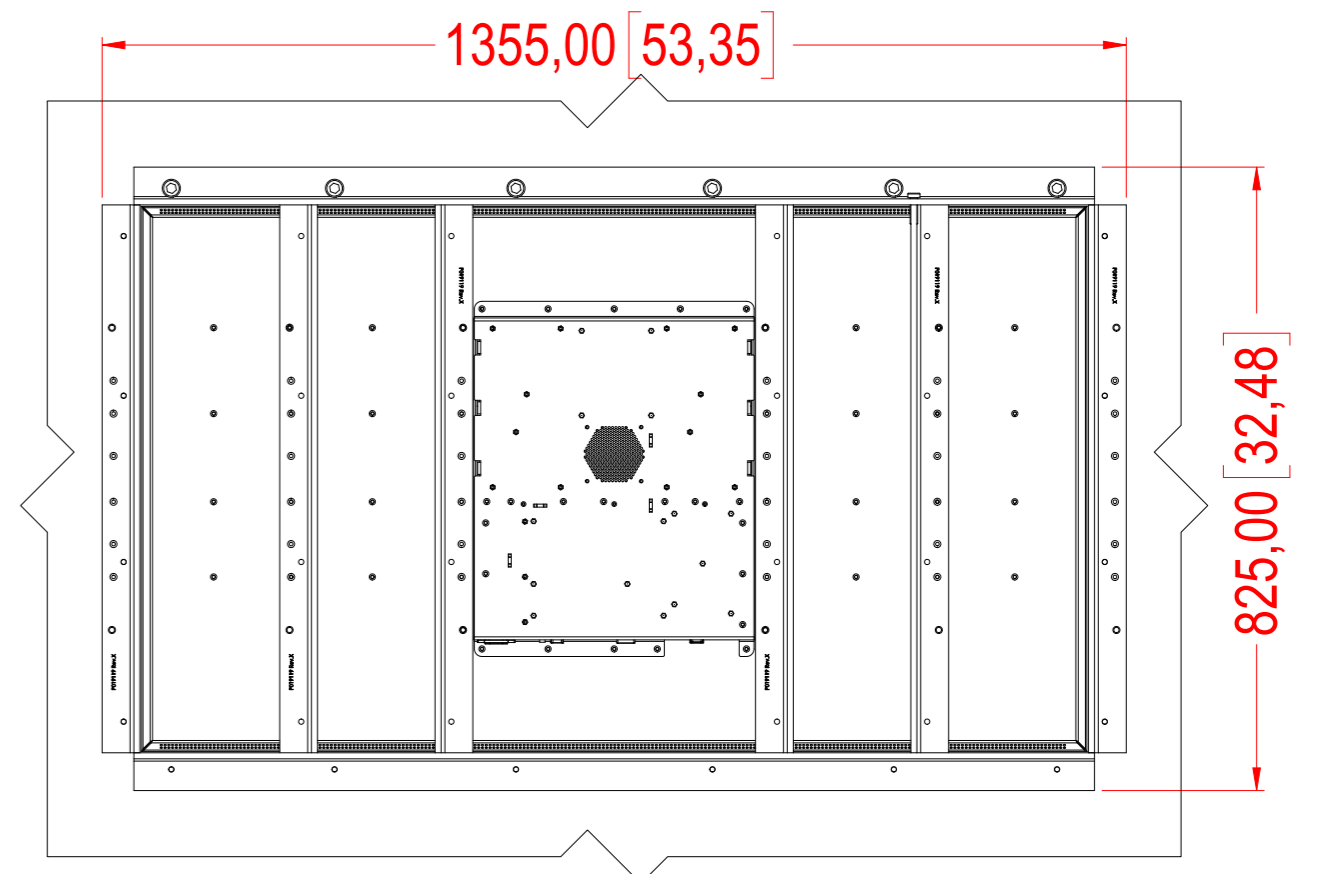


SIDE VIEW (w/Panel Cutout)

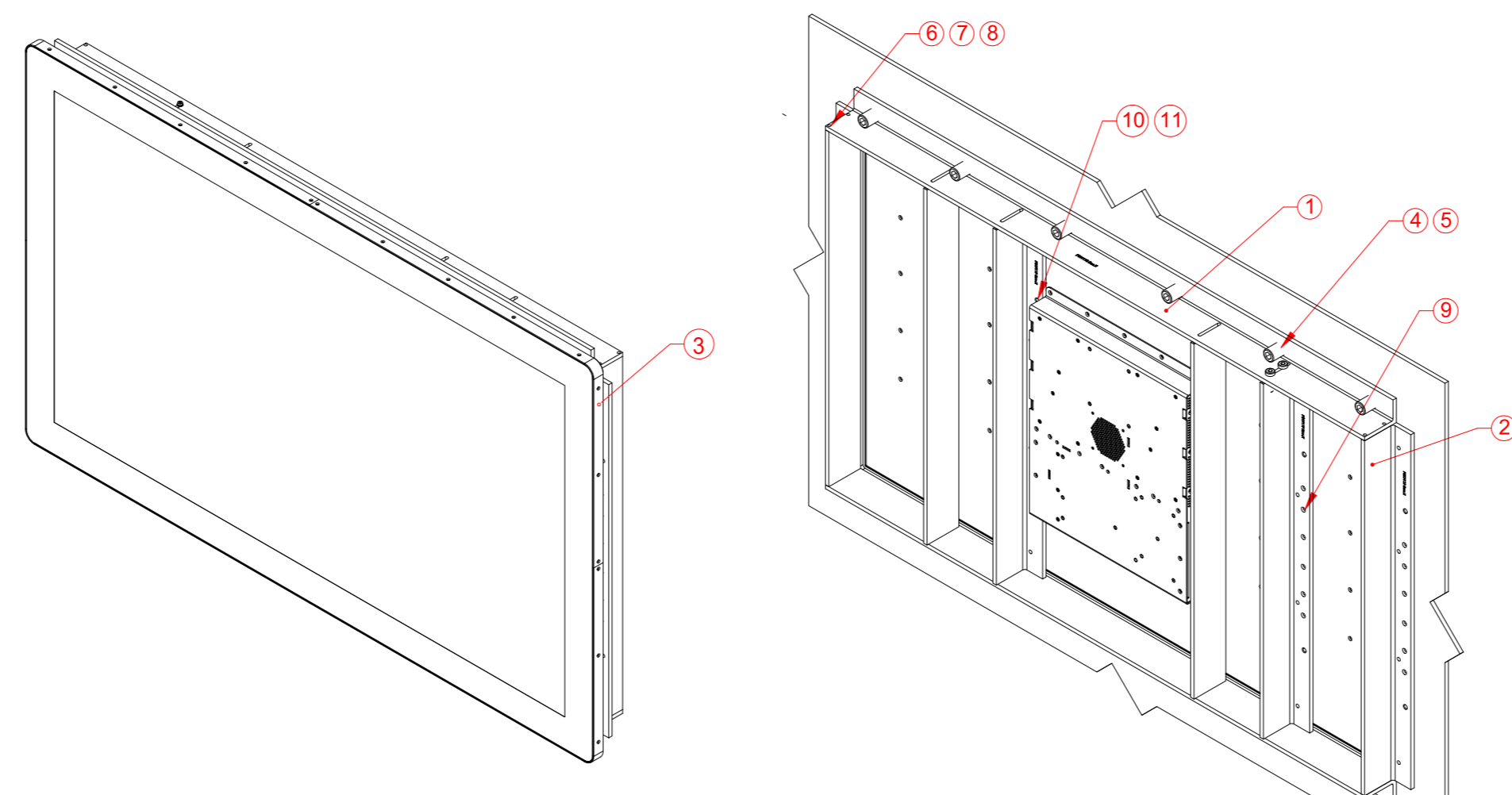


item no.	qty	name	description
1	2	P019118	55 inch Console mounting profile 4
2	6	P019119	55 inch Console mounting profile 5
3	4	P016602	55T22 Console Bezel, Alu.5052
4	20	145 060x065 A2	Set screw socket M6 x 65 - A2
5	20	229 M06 A4	ISO 7040 M6 - A4 --- Prevalling torque type hexagon Nut M6 - A4
6	24	145 050x020 A4T	Screw Panhead torx M5x20 A4 SS ISO 7045 (DIN 7985)
7	24	144 051x092x12	M5 - DIN 127 B - Spring lock washer with flat ends
8	24	M5,3 skive DIN 125	Skive DIN125 M 5,3
9	14	145 040X016 TA4	Skruer Torx DIN965 M4x16 A4 Stainless Steel
10	4	XX95	Panskruer DIN7985 M6x20 sort el
11	4	144 B06 SS	Spring Lock Washer DIN127 M6 Stainless Steel (144 061x118x16 A4)

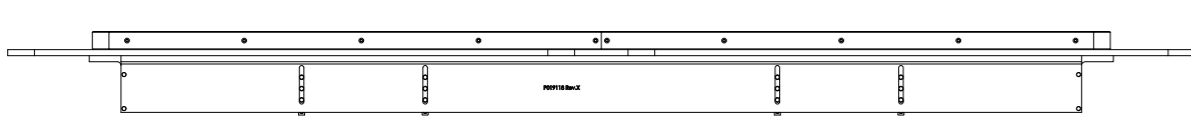
BACK VIEW (w/Panel Cutout)



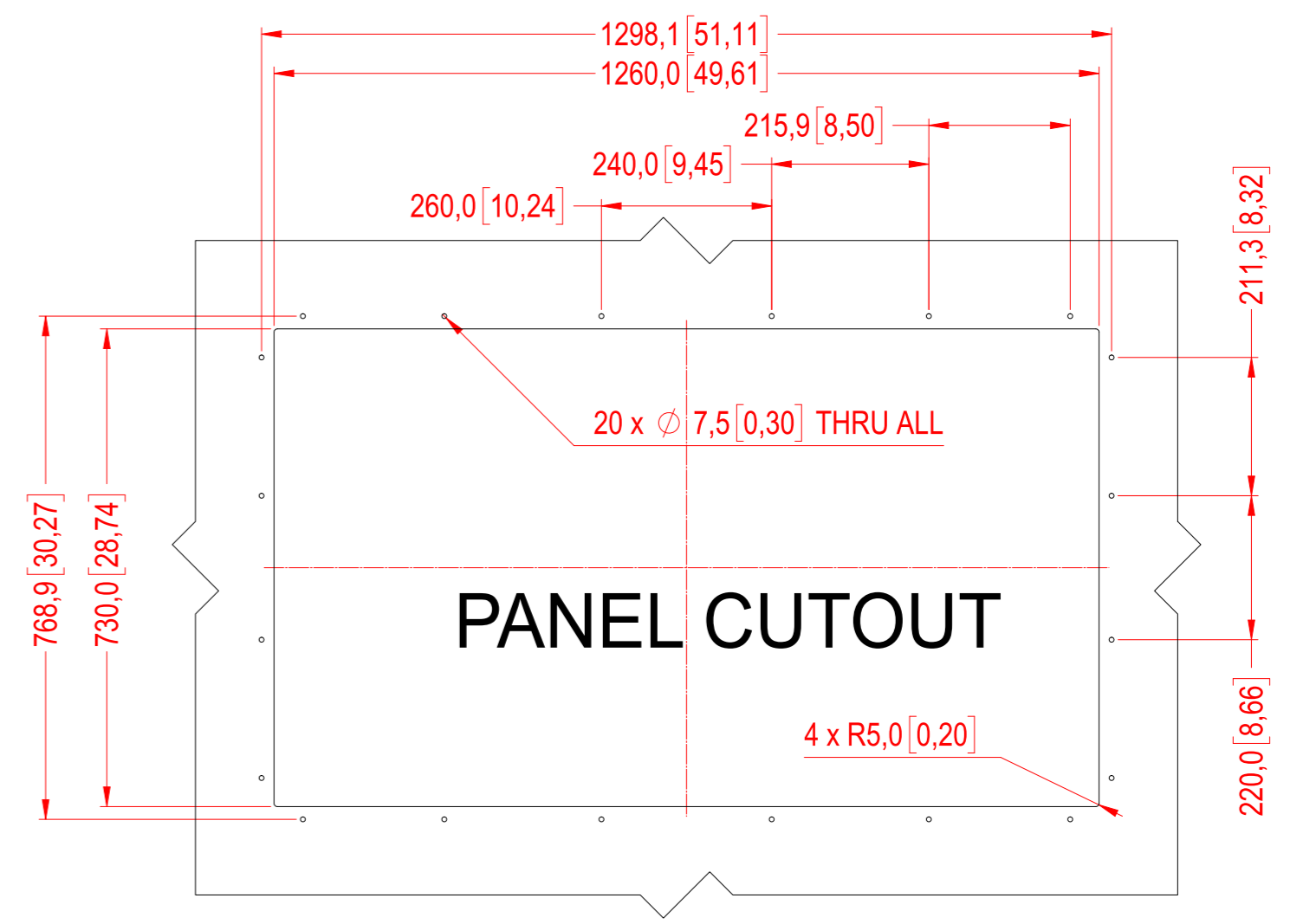
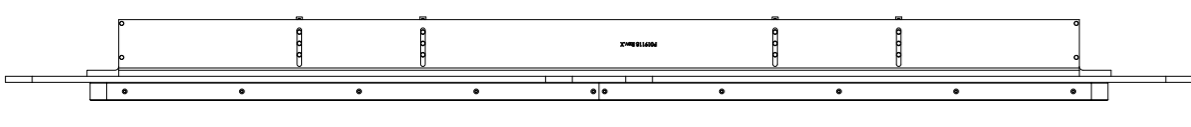
DIMETRIC VIEW



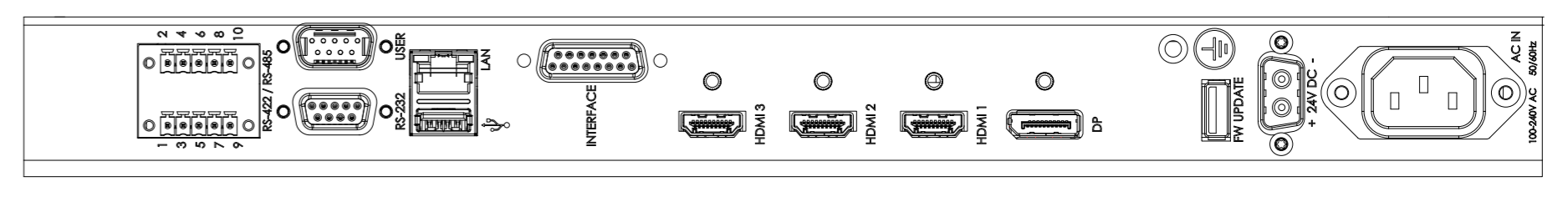
BOTTOM VIEW (w/Panel Cutout)



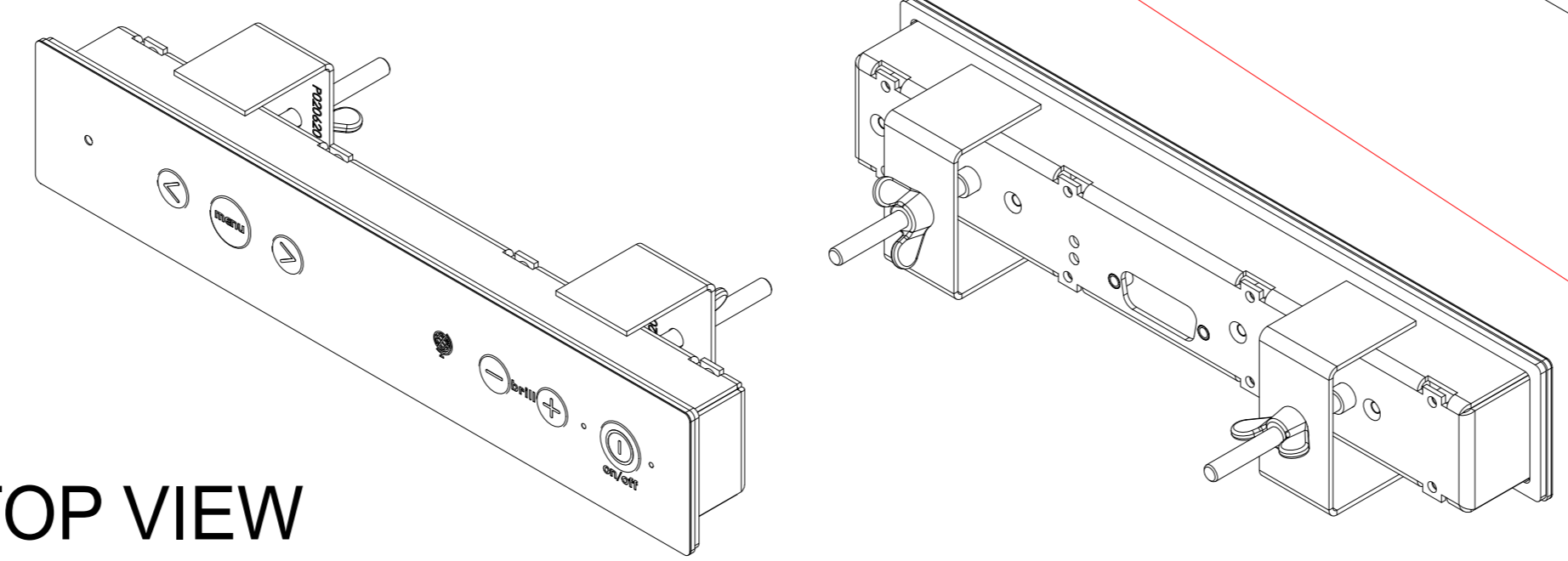
TOP VIEW (w/Panel Cutout)



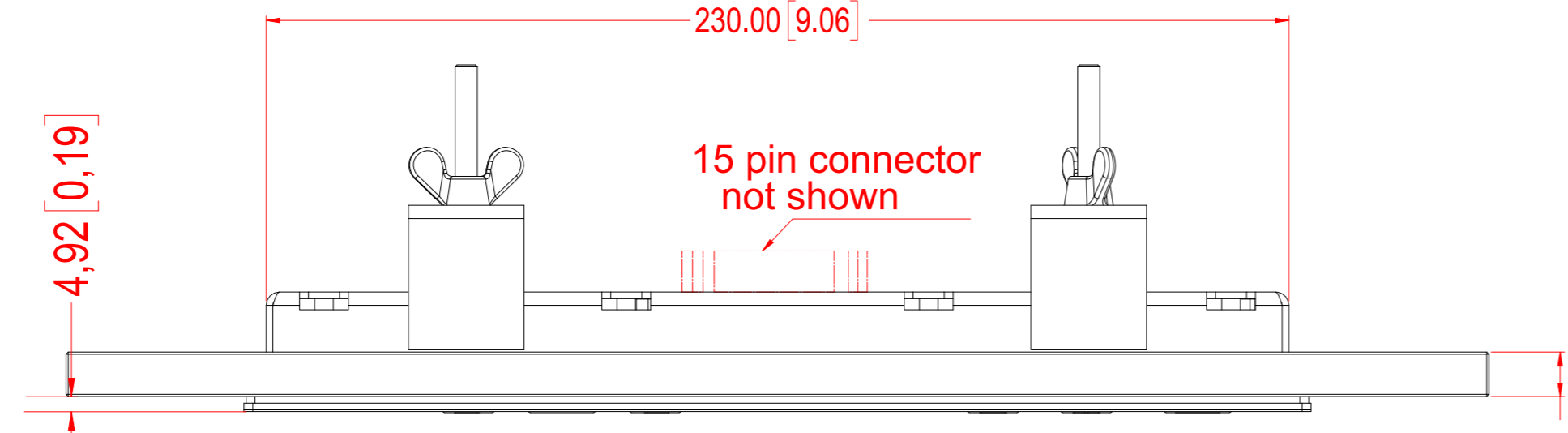
CONNECTOR VIEW



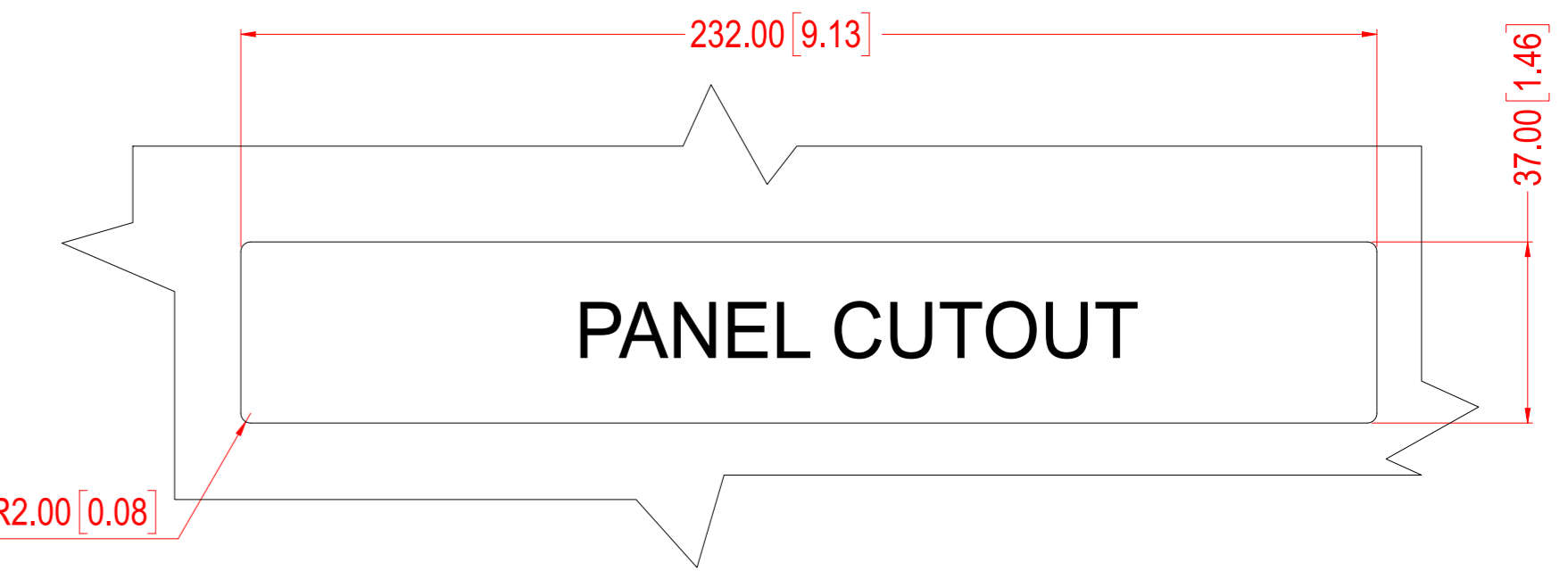
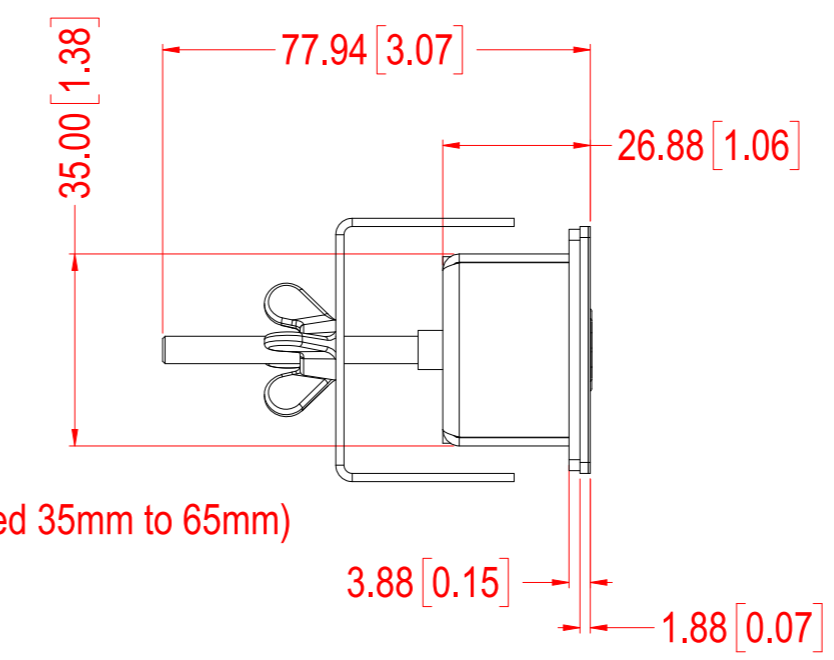
External Tactile Display Controls (TDC)



TOP VIEW



SIDE VIEW



Units: mm [inches]

SALES DRAWING HD 55T22 MVD-MA1-COTP (Console)

shown in this drawing, but measurements generally apply for all HD 55T22 MVD-MAx-COTx models.

Creation date / by:	18.10.16 7258	Projection:	A1	HATTELAND TECHNOLOGY an EMBRON Company
Last rev. date / by:			Scale: 1:5	Approved by: _____ Revision: _____
Hatteland Technology AS Eikeskogvegen 52 N-5570 Aksdal			Tolerance: ISO 2768-1 molded	Drawing number: A009832

